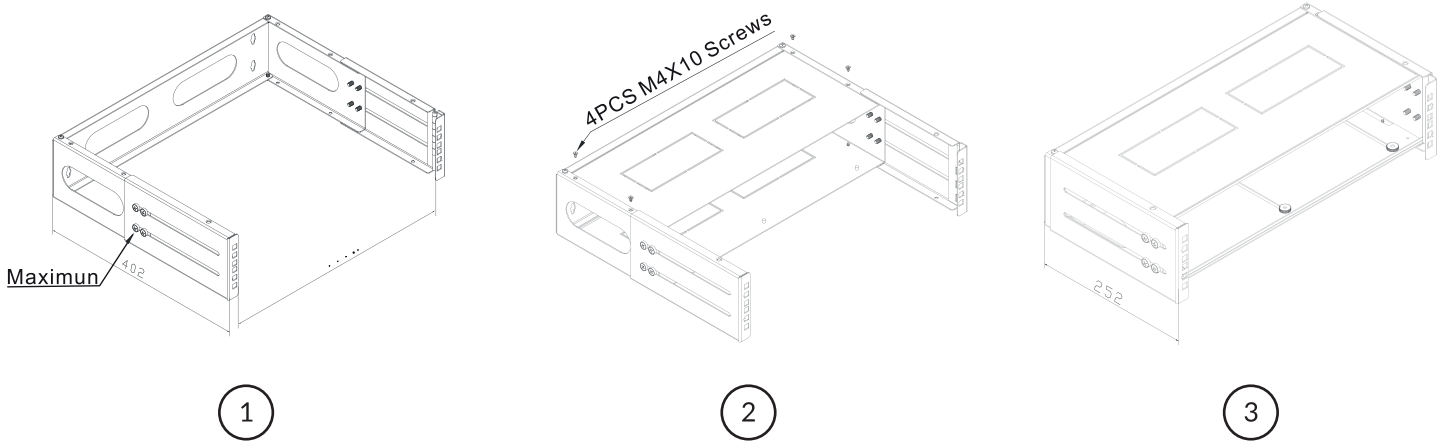


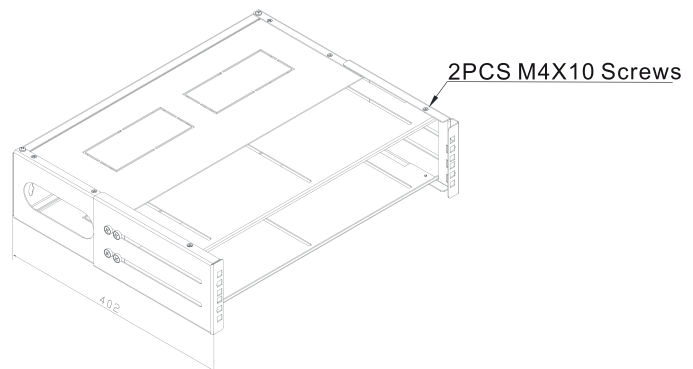
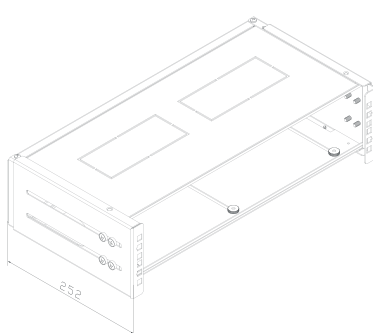
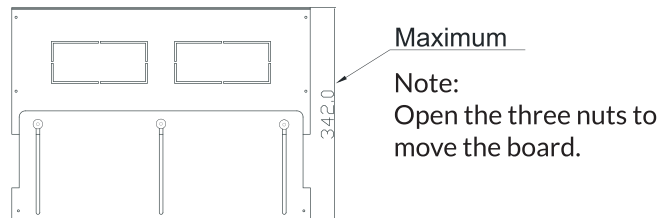
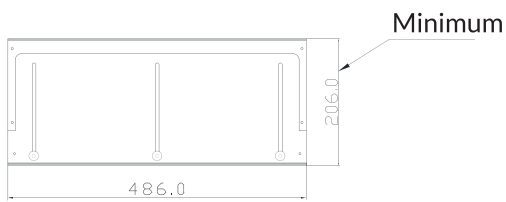
TOP AND BOTTOM FOR FOLDING BRACKET BLACK LANBERG

FB01-C-10B

Top and bottom for folding bracket are accessory for FB01-5404-10B, FB01-5408-10B. 2pcs in the box.



1. Open the bracket and adjust to the maximum size.
2. Put cover/bottom inside the bracket, then fix with 4pcs M4x10 screws.
3. When the cover/bottom is installed, you can adjust the length of the brackets.



Please note that if the cover/bottom is the maximum size, please use 2pcs screws to fix the front end.