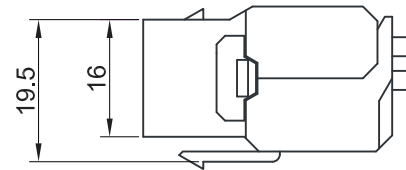
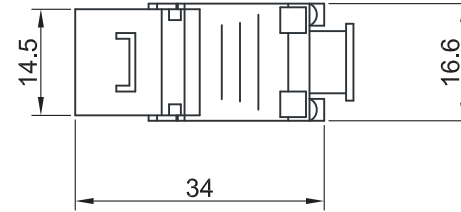
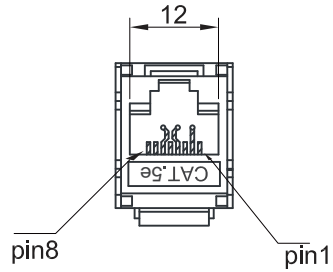
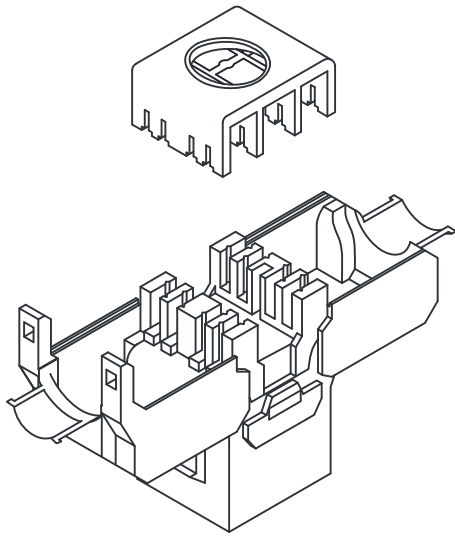


REV	DATE	MODIFICATION	DRAWN



NOTES:

ELECTRICAL:

1. VOLTAGE RATING : 125 VAC RMS
2. CURRENT RATING : 1.5 AMP
3. CONTACT RESISTANCE : 100 MILLIOHMS MAX
4. INSULATION RESISTANCE: 1000 MEGOHMS MIN @ 500 VDC
5. DIELECTRIC STRENGTH : 750 VAC RMS 60Hz,1MIN

ENVIRONMENTAL:

1. STORAGE : -40° TO +70°
2. OPERATION: -10° TO +60°

CONFORM TO TIA/EIA 568B CATEGORY 5e

MATES WITH MODULAR PLUG CONFORMING TO FCC PART 68, SUBPART F.

MECHANICAL:

- 1.SHIELD MATERIAL : BRASS T=0.30mm NICKEL PLATING
- 2.HOUSING MATERIAL : **Metal**
- 3.INSERT MATERIAL : ABS
- 4.PCB MATERIAL : FR-4 T=1.6mm
- 5.CONTACT MATERIAL : PHOSPHOR BRONZE STAMP PIN T=0.35mm
- 6.IDC CONTACT MATERIAL: PHOSPHOR BRONZE T=0.50mm WITH TIN PLATING
- 7.RJ45 JACK LIFE : 750 TIMES MIN
- 8.IDC LIFE : 200 TIMES MIN
- 9.WIRE : AWG 22~24
- 10.TIA Cat 5e Perm. Link Test: Worst pair NEXT margin \geq 5.0dB
- 11.Retentiveness of insertion structure: 50N 60 \pm 5s

DIMENSION IN mm (Inch) TOLERANCE UNLESS OTHERWISE SPECIFIED		MATERIAL	DWG NO.
.X \pm 0.10	.X° \pm 5°	TITLE	
.XX \pm 0.05	.XX° \pm 2°	DRAWN	
APPROVAL	CHECKED	SCALE 1/1	SHEET 1/1
		PROJ.	REV