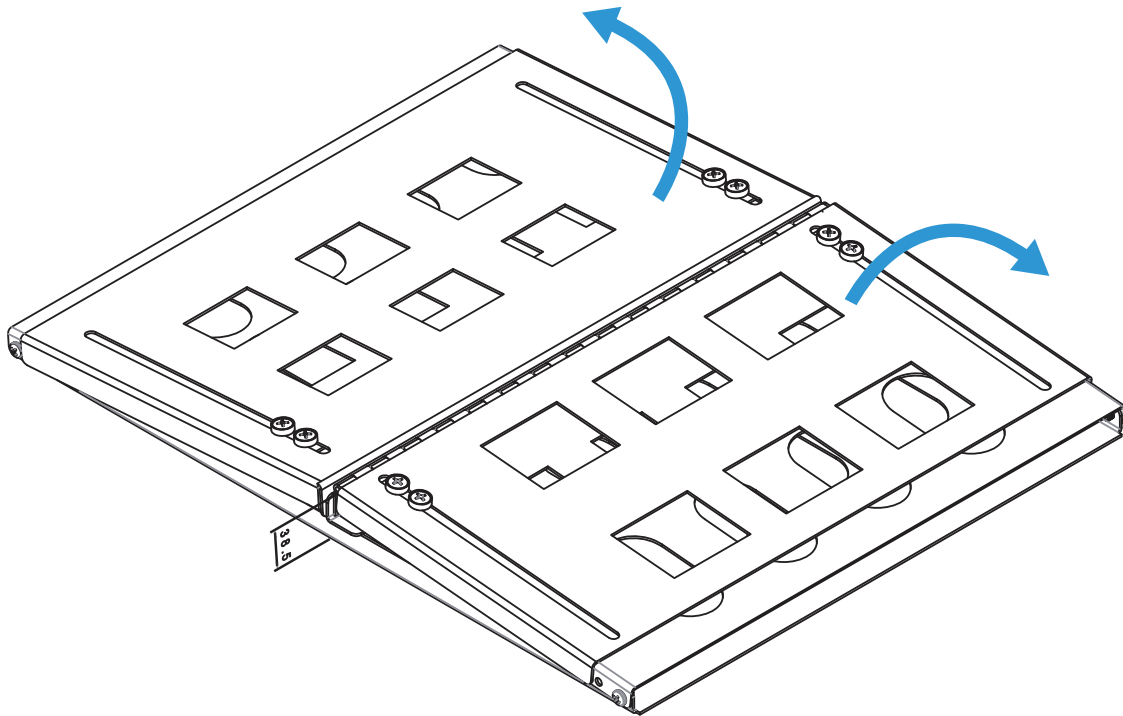
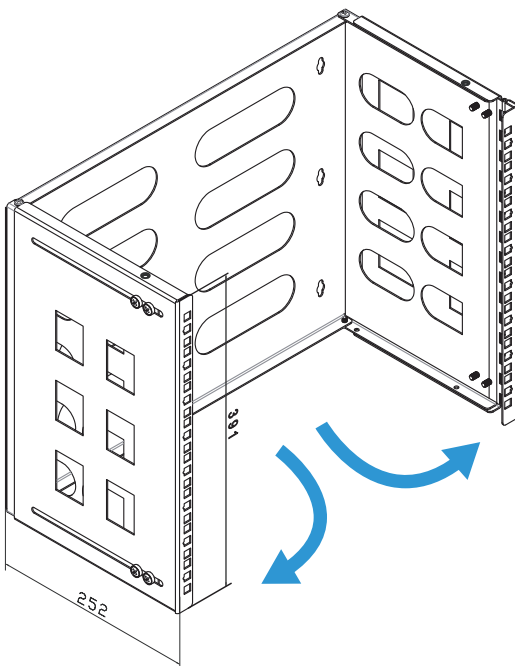


Assembly instructions
FB01-5408-10B

1



2



3

